

[www.yougar.com](http://www.yougar.com)

INNOBIZ  
기술혁신형중소기업



ISO9001인증



**High Precision  
Surface Grinding Machine**

# YOUGAR JSG-250/520 SERIES



JSG-250CNC  
JSG-625NC  
JSG-520NC  
JSG-520MA  
JSG-520MB

**YOUGAR M&T INC.**

# High Precision Surface Grinding Machine

# JSG-250CNC

## FEATURES

- Quasi-mirror grinding using a V3-class motor of 2.2 kw and P4-class angular contact ball bearings on the main axis
- High-speed reversal, easy manual operation with longitudinally-traveling hydraulic servo valves, cylinders, and hydraulic units
- Cycling (repetitive), multi-step operation using a simultaneous 2-axis control system with the servo motors moving both vertically and horizontally
- Plane and lateral dressing, measurement compensation using a simultaneous 2-axis control system moving both vertically and horizontally
- Spindle revolution adjustment using an inverter
- A control system with precision of 0.0005 mm based on the feedback via linear scales moving both vertically and horizontally
- The CNC-only structure guarantees high immovability and stable operation
- Designed to cope with a variety of grinding patterns
- Productivity increases dramatically by simply switching it over for an exclusive use





Basic setting



Slot operation



Flat surface operation



Creep moving operation



Continuous pitch process



Size correction work



Angle dressing



Round dressing



Dressing basic setting

**SPECIFICATIONS**

DESCRIPTIONS	UNIT	JSG-250CNC
Capacity	Working Surface of Table(Length×Width)	550×200
	Maximum moving range of Table's left and right directions	600
	Maximum moving range of Table's front and rear directions	250
	From the table's surface to the wheel center	400
	Standard electronic chuck size	400×200×100
Left and right	Left and right Moving speed	m / min 1~40
	Maximum return speed(when 15mm storke)	Hz 2
Front and rear	Rapid feeding speed	mm / min 0~2000
	Jog feed	1Revolution / 1Graduation 0.01, 0.1, 1.0, 5.0 / 0.0005, 0.001, 0.01, 0.05
	Minimum setting unit	mm 0.0005
	Position detecting system	mm linearscale / 0.0005
Up and down	Rapid feeding speed	mm 0~2000
	Jog feed	1Revolution / 1Graduation 0.01, 0.1, 1.0, 5.0 / 0.0005, 0.001, 0.01, 0.05
	Position detecting system	mm linearscale / 0.0005
Main spindle	Wheel dimension	mm 205×6.4~25×31.75
	Spindle r.p.m	rpm 2000~5000
	Motor	kw / p 2.2kw / 2p
Nc controll		Servo2 + 1(Simultaneity 2axis)
Floor Space(Lenght×Width×Height)	mm	2670×2040×1900
Net Weight of Machine	kg	2400

※ The Specification can be changed without a notice in order to improve the quality of product.

# High Precision Surface Grinding Machine

# JSG-520NC

## FEATURES

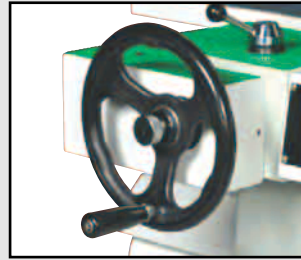
- Adoption of ultra-precision(V3 class) spindle motor
- High-hardness casting structure which is able to keep durability
- Use High-precision Ballscrew
- Offering front and rear, up and down feed pulse handle
- Simple by a teaching function when a machine need front and rear stroke fixation
- Front and rear, up and down feeding servo-motor system
- R,L Feed manual, auto combination
- Easy and simple operating panel





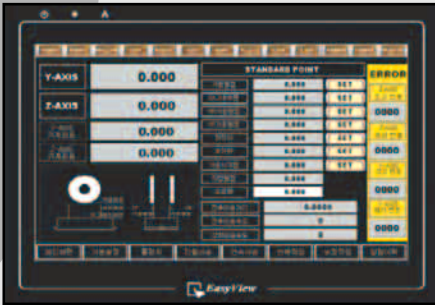
### CONTROL PANEL

Modularized control panel is designed for workers who have used manual machines to adapt easily. Through cyclized work skill, more than two machines can control by one person



### COMBINED EQUIPMENT MANUAL AND AUTOMATIC OPERATION

It possibility manual works to automatic or manual exchangeable type for simple control that change lever to pull & push



Basic setting



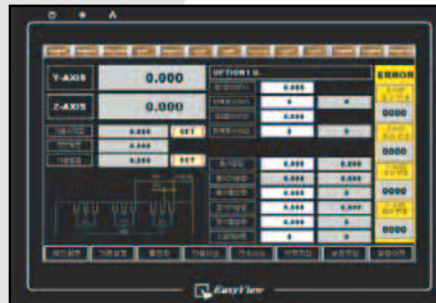
Slot operation



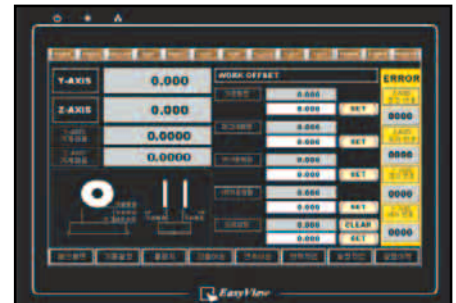
Intermittence moving operation



Continuous moving operation



Continuous pitch process



Size correction work

### SPECIFICATIONS

DESCRIPTIONS		UNIT	JSG-520NC	
Capacity	Working Surface of Table(LengthXWidth)	mm	520×250	
	Maximum moving range of Table's left and right directions	mm	550	
	Maximum moving range of Saddle/Column's the front and the rear	mm	270	
	From the table's surface to the spindle's center	mm	460	
	Standard electronic chuck size	mm	450×200	
Left and right	Handle feed range 1 rotation	mm	100	
	Driving system		Induction motor / Inverter	
	Moving speed	mm / min	0~25	
Front and rear	Driving system		Servo motor / Full close linearscale control type	
	Manual feed	Feed per revolution for MPG Feed per graduation for MPG	mm mm	0.1 / 1 / 5 0.001 / 0.01 / 0.05
	Automatic feed	Intermittent feed Continuous feed	mm mm / min	0~20 0~1000
Up and down	Driving system		Servo motor / Full close linearscale control type	
	Manual infeed	Feed per revolution for MPG Feed per graduation for MPG	mm mm	0.1 / 1 / 5 0.001 / 0.01 / 0.05
	Automatic infeed	Total grinding amount	mm	99.999 Touch establishment value
		Fine grindig amount	mm	99.999 Touch establishment value
		Rough infeed amount	mm	99.999 Touch establishment value
		Fine infeed amount	mm	99.999 Touch establishment value
	Spark out	Time	99	Touch establishment value
Jog feed rate	mm / min	0~1500		
Electronic motor	Main axis	kw / p	1kw/2P, 1.5kw/2P (Option)	
	Left and right	W	200	
	Front and rear	W	700	
	Up and down	W	700	
Required area (Length X Width X Height)		mm	2100×1300×1850	
Weight of machine		kg	1500	

※ The Specification can be changed without a notice in order to improve the quality of product.

# High Precision Surface Grinding Machine

# JSG-520MB

## FEATURES

- Adoption of ultra-precision(V3 class) spindle motor
- Semi-permanent durability due to high strength castings
- Structural design for convenient operating
- Micro grinding (5/10000mm)
- Up and down, front and rear high precision grinding lead screw (SCM)





#### CONTROL BOX

Operating panel installed on the top, operating is easy and safe



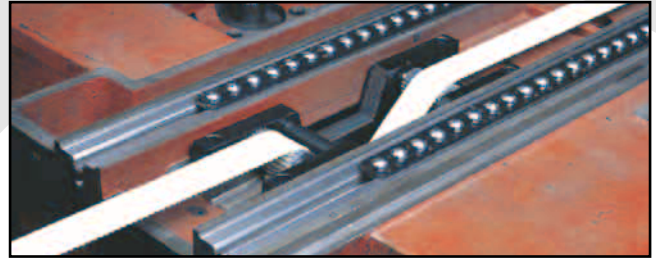
#### FINE VERTICAL FEED CONTROL

Fine vertical feed control attached, and it is able to 5/10,000mm detailed work



#### STEEL CABLE DRIVE TYPE

Using steel cable on left and right table driving is soft and has a semi-permanent life



#### TIMMING BELT DRIVE TYPE

Using timing belt when you are left and right table driving, it prevents a sleep condition (Option)

#### STANDARD ACCESSORIES

- Electric Magnet Chuck
- Wheel Flange
- Grinding Wheel
- Diamond Dresser
- Tool Box
- Working Tool

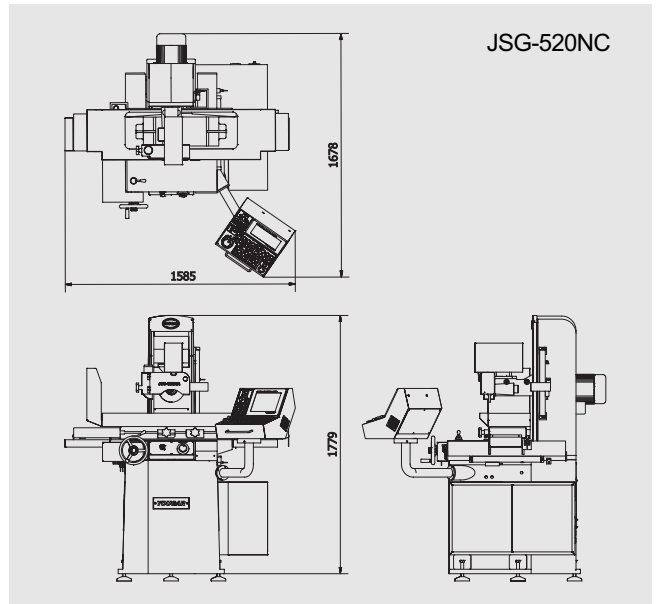
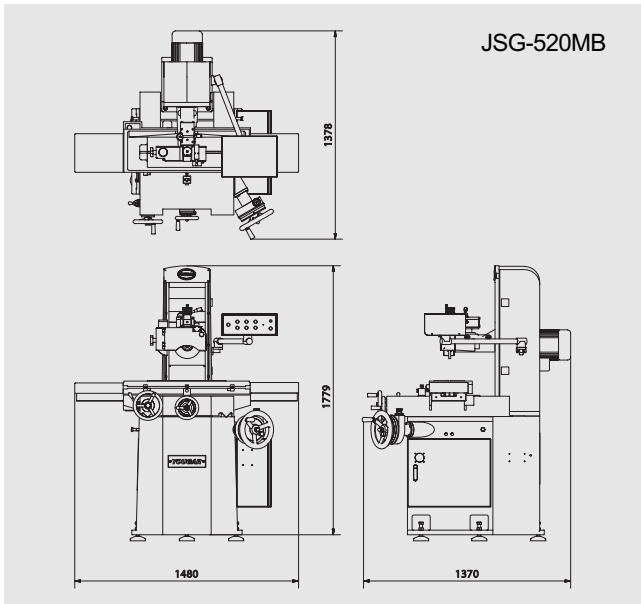
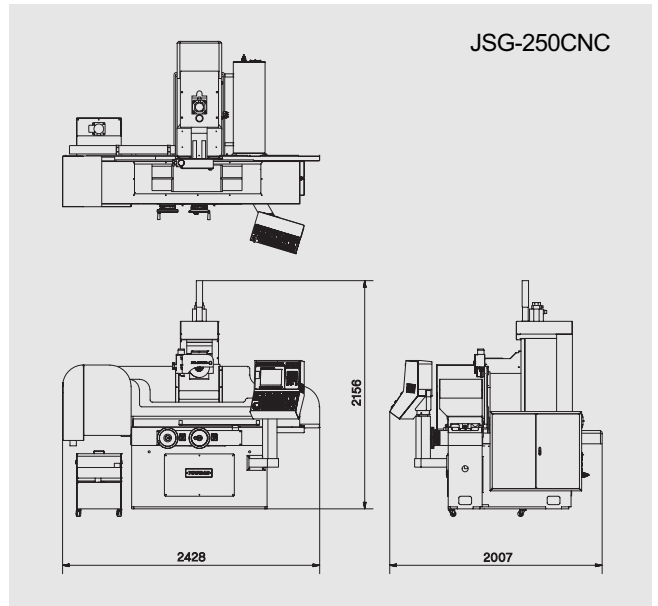
#### SPECIAL ACCESSORIES

- Dust Suction Device
- Coolant System
- Fine Vertical Feed Control
- Digital Read Out
- Balancing Stand
- Angle Dresser
- R-Dresser
- Vise 3"
- Sin Magnet Chuck
- Wheel Flange
- Walker

#### SPECIFICATIONS

DESCRIPTIONS		UNIT	JSG-520MB
Capacity	Working Surface of Table(Length×Width)	mm	520×250
	Maximum Travel(Cross Wise×Long Itudinal)	mm	550×270
	Max. Height from table surface to wheel spindle center	mm	460
	Electric magnet chuck size	mm	450×200
Table	Cross Movement Hand	mm	5
		mm	0.02
Grinding head	Hand feed per revolution	mm	2
	Transfer speed of table from side to side	mm	0.0005
Grinding wheel	Diameter×Width×Bore Speed(50/60Hz)	mm	180×10~20×31.75
		rpm	2850 / 3460
Motor	Spindle	kw / p	1kw / 2P, 1.5kw / 2P
Floor space(Lenght×Width×Height)		mm	2100×1300×1850
Net weight of machine		kg	1400

※ The Specification can be changed without a notice in order to improve the quality of product.



## PRODUCTS

CNC Surface Grinding Machine | Surface Grinding Machine | Graphite Chip Processing Unit | Oil-water Separator

# YOUGAR M&T INC.

#636-#637, Na-dong, Mecazone, Ezen, 2979, Hagun, Yangchon, Kimpo, Gyeonggi, Korea.  
Tel. 82-31-987-4033 Fax. 82-31-999-8433  
http. www.yougar.com E-mail. yougar@yougar.com

[www.yougar.com](http://www.yougar.com)

